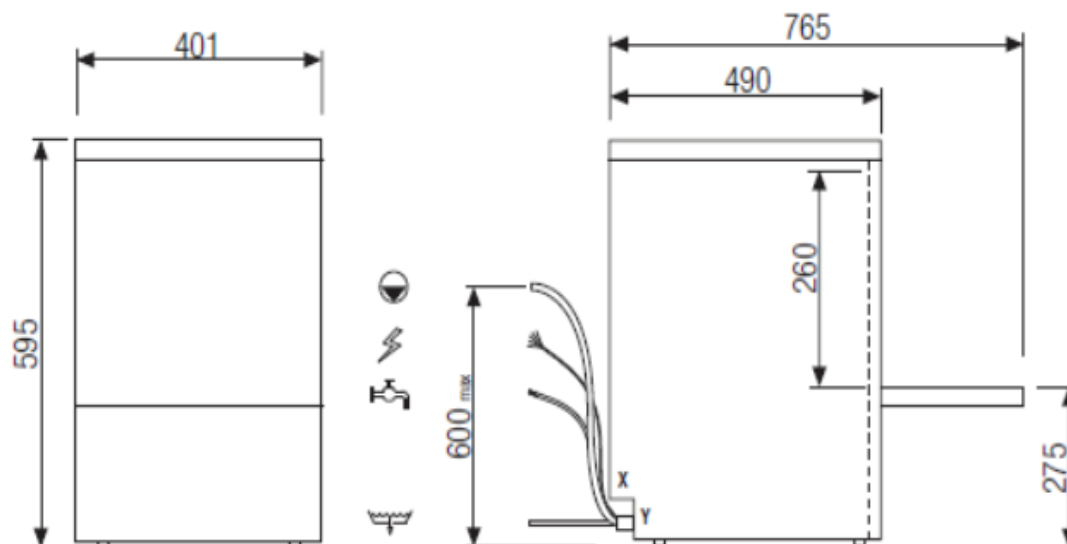


# VU-35 UNDERBENCH DISHWASHER

The VU-35 is perfect for bars, wineries, tasting glassware and other small food or drink outlets. The cycle time can be 90, 120 or 150 seconds.



## Standard Features

- 3 wash cycles and self cleaning cycle
- Built-in detergent & rinse aid dispenser
- Double skinned door for energy saving
- Door safety switch stops machine if door opened
- Thermostop system ensures 100% sanitisation
- Drain pump to allow for easy connection to drain
- Heavy duty, commercial grade construction
- Designed in Australia, Made in Italy



**WATER  
SAVING**



**ECO  
FRIENDLY**



Power supply	240V
Total power	3.6KW
Total current	15 Amp
Wash tank capacity	8 ltrs
Water consumption (per cycle)	1.5 ltrs
Rinsing temp (approx)	80-85°C
Rack size	14" x 17"
Tallest washable item	32cm
Weight (empty)	31 kg
Water connection (Hot*)	3/4" hose

\*Connect to hot water for optimum performance