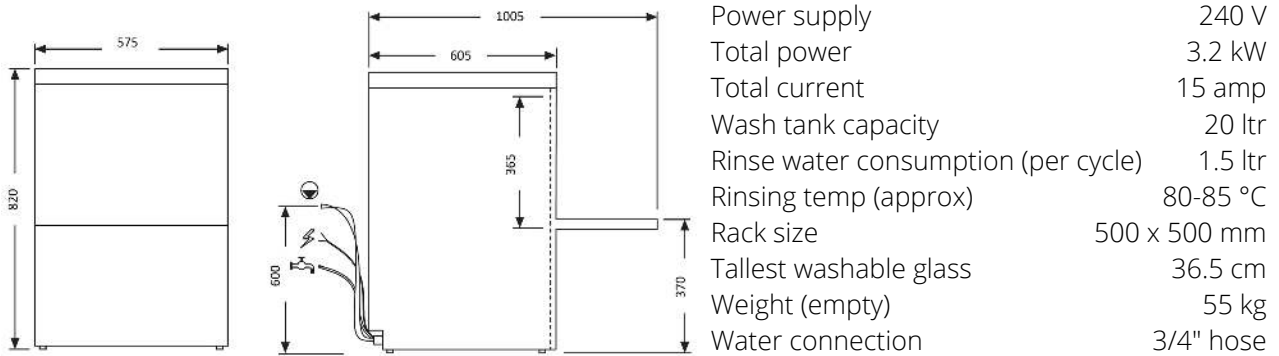


VU-50 UNDERBENCH DISHWASHER

With the washing power of a pass through machine, the VU-50 is perfect for wineries, cafes and restaurants. The cycle time can be 90, 120, 180 seconds or intensive.



WATER SAVING



ECO FRIENDLY



MONEY SAVING




Standard Features

- 4 wash cycles and self cleaning cycle
- Built-in detergent & rinse aid dispenser
- Double skinned door for energy saving
- Door safety switch stops machine if door opened
- Thermostop system ensures 100% sanitisation
- Drain pump to allow for waste installation anywhere
- Heavy duty, commercial grade construction.
- Designed in Australia, Made in Italy

