



TECHNICAL SPECIFICATIONS

Racks/hour (Hot water)	72/40/30/20/12
Racks/hour (Cold Water)	35/35/30/20/12
Cycle time *1	50/90/120/180/300 secs
Power supply	415V, 3Ø+N 50Hz
Wash pump	900 W
Boiler heater	9000 W
Wash tank heater	2700 W
Total power	10.7 kW
Total current	3 x 15.1Amp
Wash tank capacity	20 ltrs
Boiler heater capacity	15 ltrs
Water consumption (per cycle)	2.6 ltrs
Min/max water pressure *2	200/600kPa
Min/max water temp *3	50/65°C
Rack size	500 x 500 mm
Max dish height	410 mm
Weight (empty)	125 kg
Weight (shipping)	141 kg
Dimension (shipping)	76x 84 x150 cm
Drain Type	Pumped
Water connection	3/4" hose
Required water supply	120 ltr/hr
Drain hose diameter	24 mm

STANDARD FEATURES

- Double skin insulated hood
- Five wash cycles
- Chair type tank
- Self cleaning vertical pump
- The PLUS system to grant a constant rinse temperature
- The Break Tank system to prevent backflow contaminations to the piping network
- User friendly multichrome START key
- Electronic control panel/LCD screen
- Self-diagnostic system



The HT-14 OPTIMA has a drain pump that anticipates the partial draining of the waste water before rinsing.

At each cycle the water is warmer and cleaner with the addition of detergent and rinse-aid.

The new chair type, deep formed tank with a reduced volume allows significant savings on water, energy, detergent and also helps to avoid water stagnation.

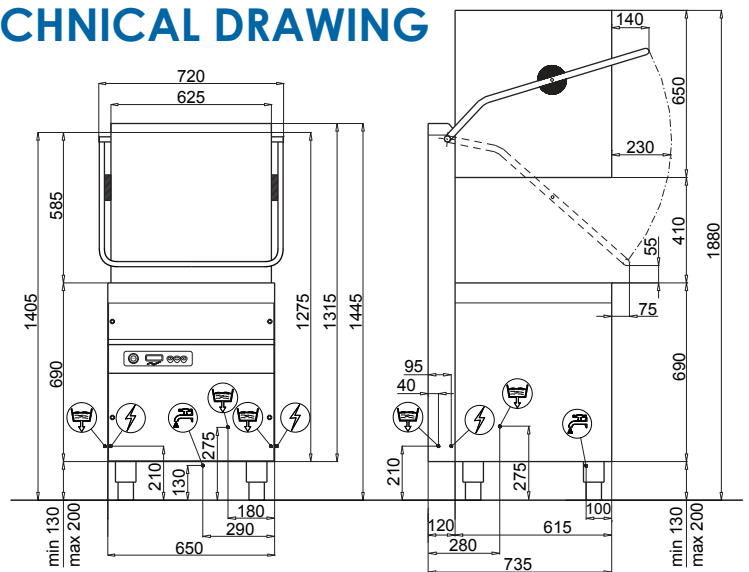
*1 All Machines fitted with thermostop which may effect cycle time

*2 Optional booster pump is available if the water pressure is below 200kPa; reducer required if over 600kPa

*3 Minimum incoming water temperature without loss of performance; units can operate with cold water at reduced performance.

Machine must be connected according to local regulations.

TECHNICAL DRAWING



All details subject to change without notice



Call Rhima Australia today on **1300 347 944**

